



PUBLIC WORKS SERVICES

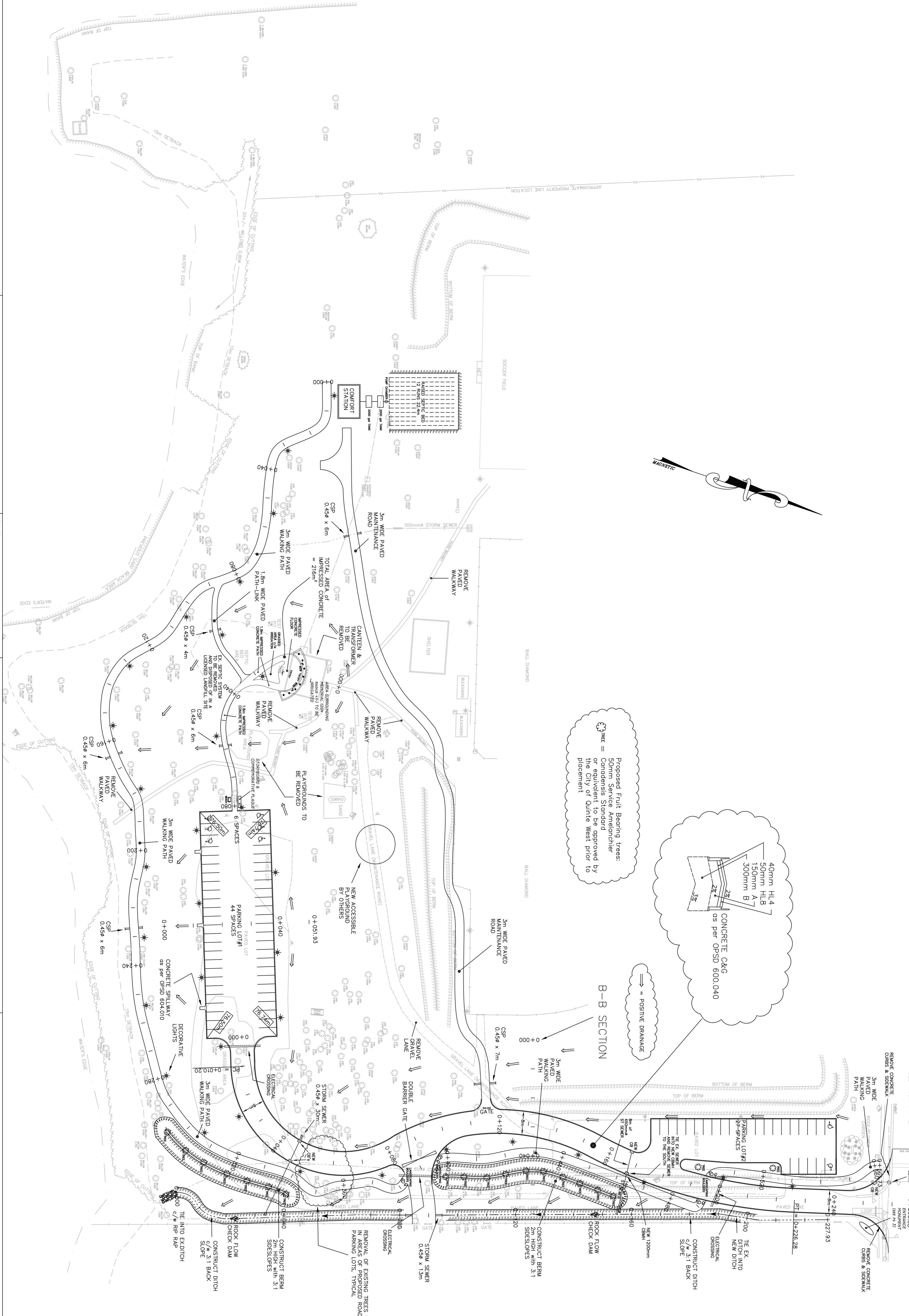
SURVEYED & DRAWN BY:	P. SHANNON
DESIGNER:	P. SHANNON
CHECKED BY:	T. COLASANTE
APPROVED BY:	C. ANGELLO
DATE:	DECEMBER 15 2010
SCALE:	1:600
CONTRACT NO.:	

STAMP

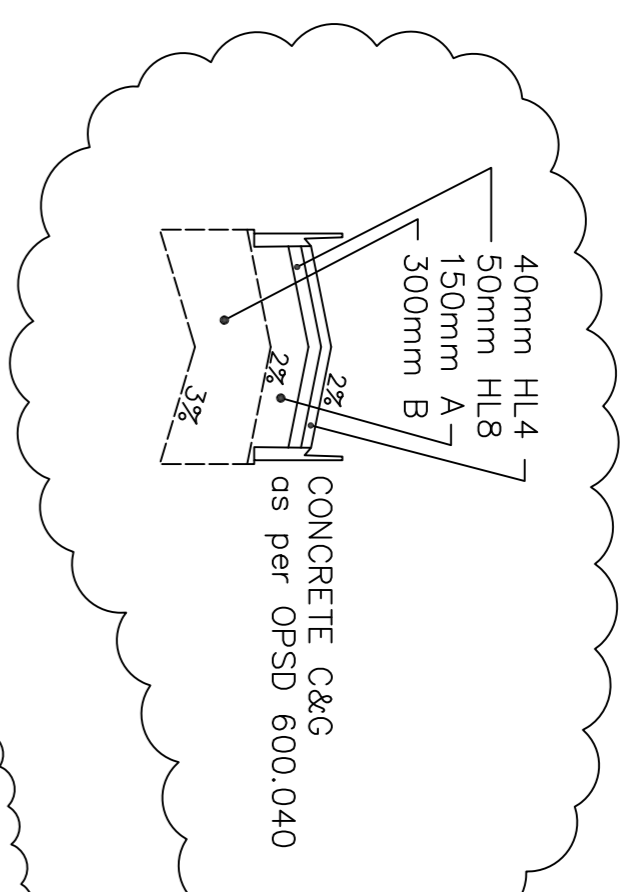
REV. NO.	DATE	TYPE	BY	APPROVED

CORRECTION MADE AFTER _____ BY _____

PROJECT NAME:
BAIN PARK REHABILITATION
Re. AFGHANISTAN REPATRIATION
MEMORIAL



Proposed Fruit Bearing trees:
 50mm Service Amelanchier
 or equivalent to be approved by
 the City of Quinte West prior to
 placement



⇒ = POSITIVE DRAINAGE

OLD HIGHWAY 2
 0+265.38
 OLD HIGHWAY 2